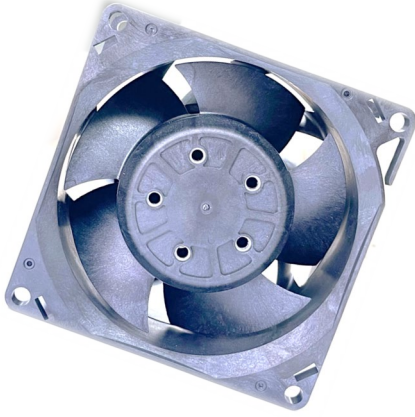
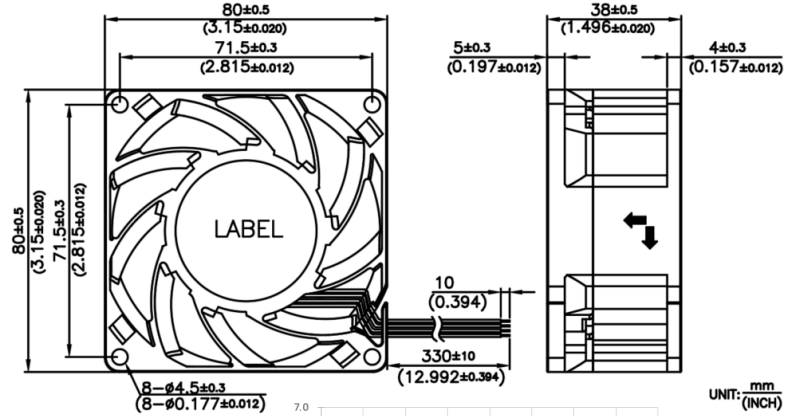


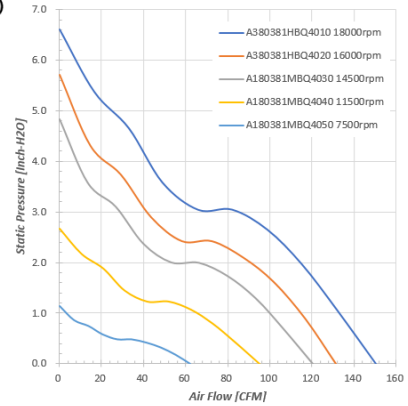
iCloud Fan 80*80*38 MM



DIMENSION DRAWING



- Housing : Plastic (UL 94V-0)
- Impeller : Plastic (UL 94V-0)
- Bearing : Ball bearing
- Lead Wires : UL10368 AWG22 OR Equivalent
- Mass : 230g



Model No.	Control Type	Bearing Type	Rated Voltage	Operating Voltage Range	Operating Temp.	Speed	Input Current	Input Power	Maximum Air Flow		Maximum Air Pressure		Noise	
			VDC	VDC	°C	R.P.M	Amp	Watt	CFM	m ³ /min	inH2O	mmH2O		dB(A)
A380381H	BQ4010	+/-FG/PWM	Ball	12	10.8~13.2	-10~70	18000	5.95	71.4	150.5	4.3	6.61	167.9	77.3
A380381H	BQ4020	+/-FG/PWM	Ball	12	10.8~13.2	-10~70	16000	4.20	50.4	131.3	3.7	5.71	145.1	72.9
A180381M	BQ4030	+/-FG/PWM	Ball	12	6.5~13.2	-10~70	14500	3.35	40.2	120.4	3.4	4.84	115.4	70.8
A180381M	BQ4040	+/-FG/PWM	Ball	12	6.5~13.2	-10~70	11500	1.56	18.7	95.2	2.7	2.67	67.8	65.7
A180381M	BQ4050	+/-FG/PWM	Ball	12	6.5~13.2	-10~70	7500	0.51	6.09	62.1	1.8	1.14	28.8	56.4
A380382H	BQ4010	+/-FG/PWM	Ball	24	21.6~26.4	-10~70	18000	2.98	71.4	150.5	4.3	6.61	167.9	77.3
A380382H	BQ4020	+/-FG/PWM	Ball	24	21.6~26.4	-10~70	16000	2.10	50.4	131.3	3.7	5.71	145.1	72.9
A180382M	BQ4030	+/-FG/PWM	Ball	24	21.6~26.4	-10~70	14500	1.68	40.2	120.0	3.4	4.54	115.4	68.3
A180382M	BQ4040	+/-FG/PWM	Ball	24	21.6~26.4	-10~70	11500	0.78	18.7	95.2	2.7	2.67	67.79	65.7
A180382M	BQ4050	+/-FG/PWM	Ball	24	21.6~26.4	-10~70	7500	0.25	6.09	62.1	1.8	1.14	28.83	56.4
A380384H	BQ4010	+/-FG/PWM	Ball	48	36~57	-10~70	18000	1.49	71.4	150.5	4.3	6.61	167.9	77.3
A380384H	BQ4020	+/-FG/PWM	Ball	48	36~57	-10~70	16000	1.05	50.4	131.3	3.7	5.71	145.1	72.9
A180384H	BQ4030	+/-FG/PWM	Ball	48	36~57	-10~70	14500	0.84	40.2	120.4	3.4	4.84	115.4	70.8
A180384H	BQ4040	+/-FG/PWM	Ball	48	36~57	-10~70	11500	0.39	18.7	95.2	2.7	2.67	67.8	65.7
A180384H	BQ4050	+/-FG/PWM	Ball	48	36~57	-10~70	7500	0.13	6.09	62.1	1.8	1.14	28.8	56.4